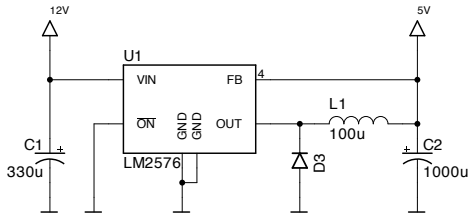
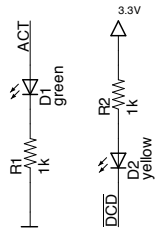


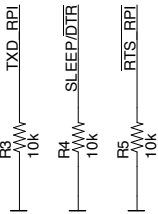
### Power Supply



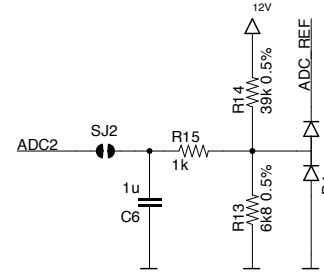
### LEDs



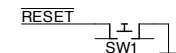
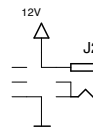
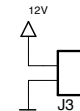
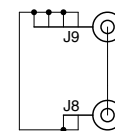
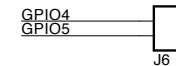
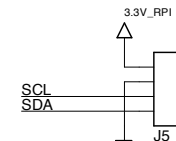
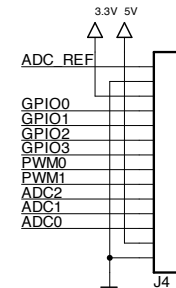
### Pull-Downs



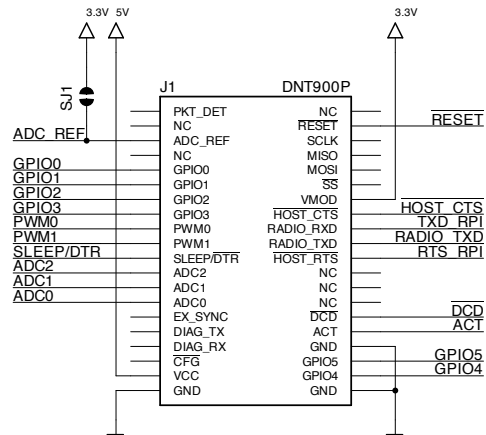
### Supply Voltage Measurement



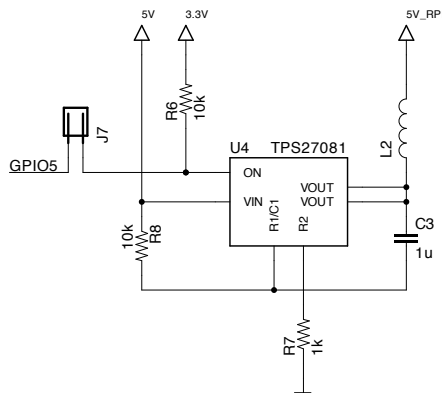
### Connectors



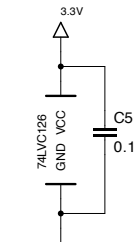
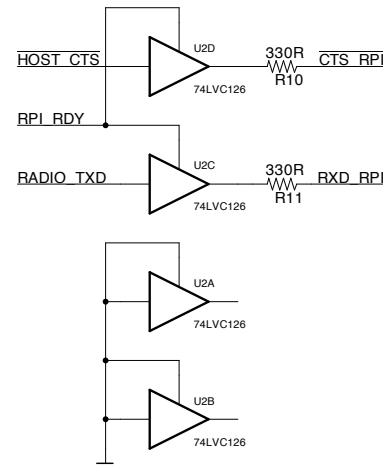
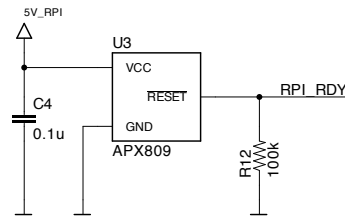
### DNT900 Radio Module



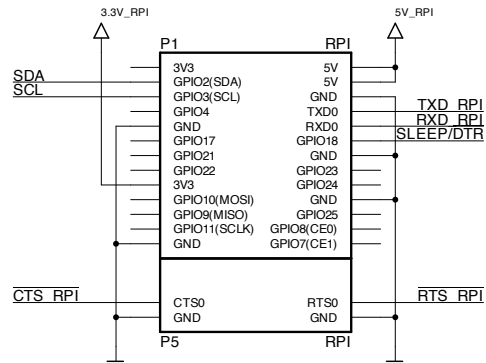
### Power Switch



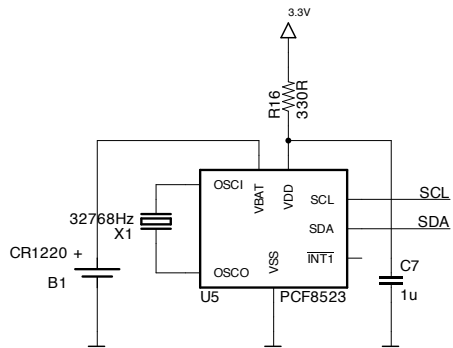
### Signal Buffers



### Raspberry Pi



### Real-Time Clock



Interface board for Raspberry Pi single-board computer and RFM DNT900P and DNT2400P radio transceiver modules.	
Title: RPi900	
Revision: 1	
Date: 3 June 2013	
Sheet: 1/1	